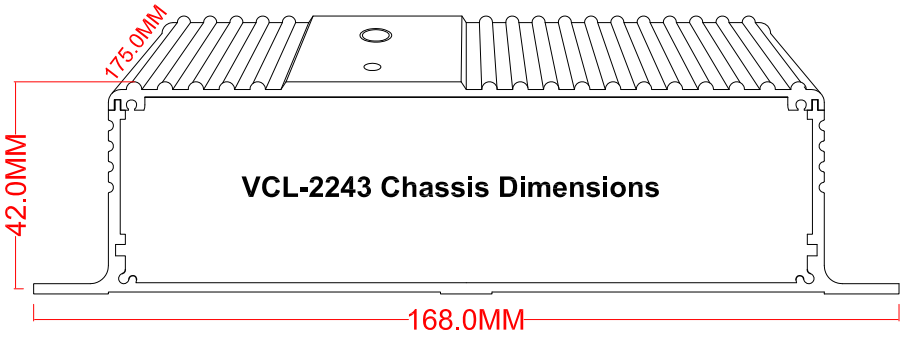


The Drawing and any information or descriptive matter set out hereon are the confidential property of Valiant Communications and must not be disclosed, loaned, copied, used for manufacturing, tending or any other purpose without their written permission.

1 2 3 4 5 6 7 8 9 10 11 12 13 14 15

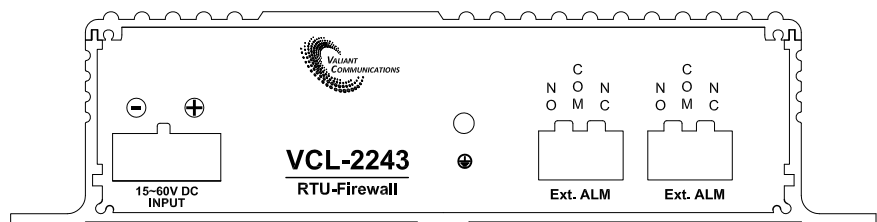
APPR. CHECK DATE REVISION NAME DATE REVISION

Mechanical Drawing of VCL-2243 RTU-Firewall

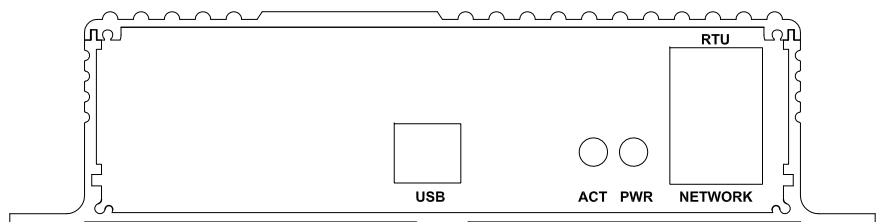


VCL-2243	
Mechanical Dimensions	
Width	168.0 MM
Height	42.0 MM
Depth	175.0 MM
Weight	0.7kg

Front View



Rear View



Title: Mechanical Drawing of VCL-2243 RTU Firewall



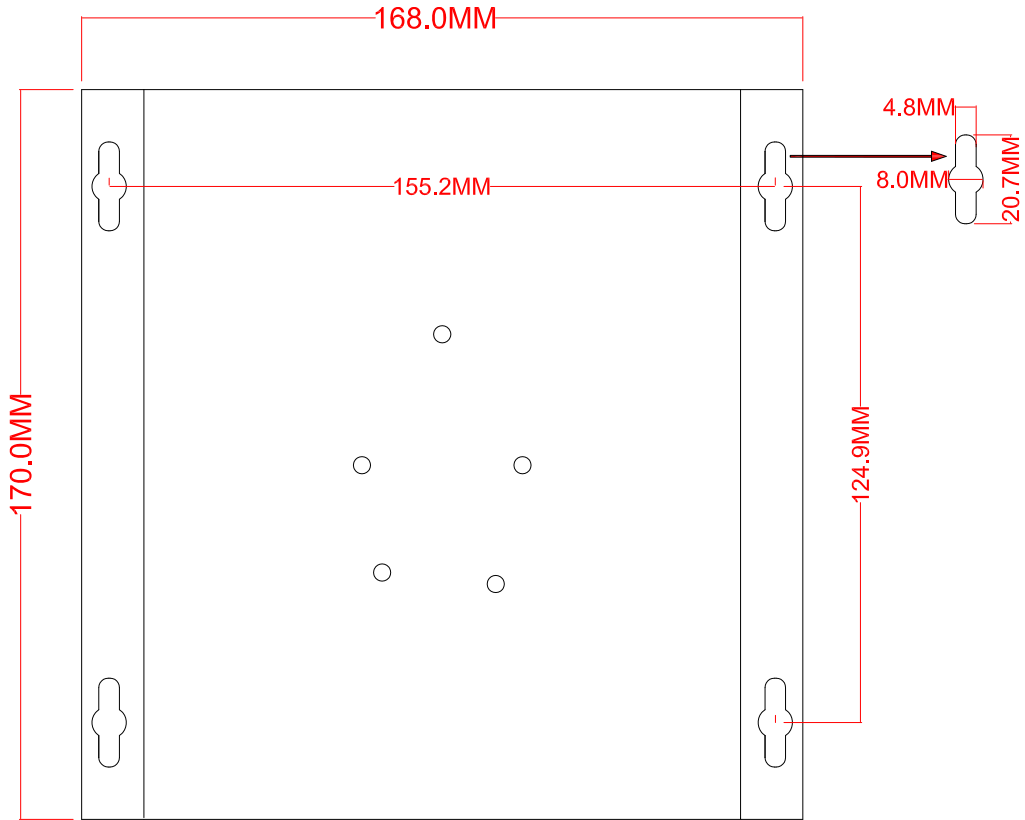
Drawing No: EMD-2243/RTU/002

Date	Rev	Sheet	01
Nov 08, 2021	02	Next Sheet	02

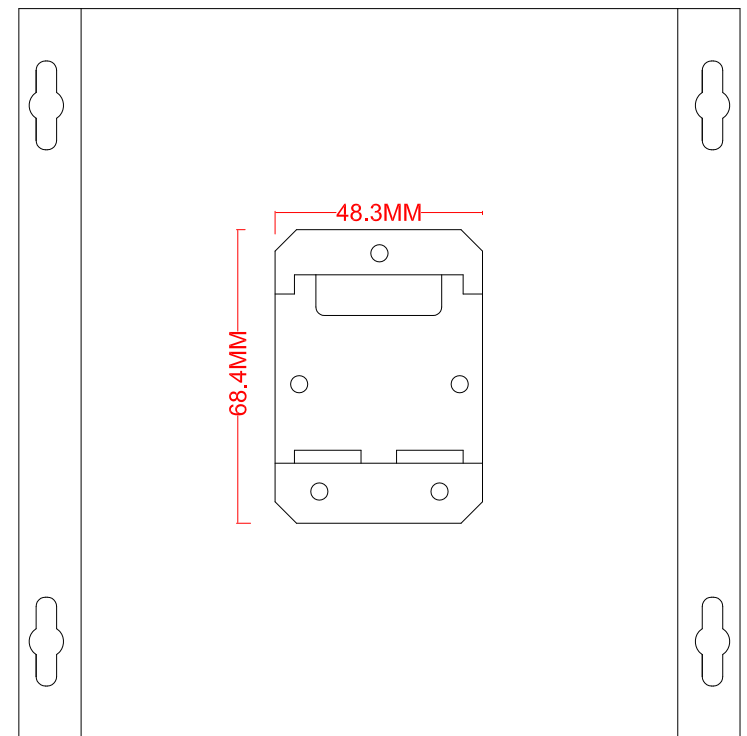
A B C D E F G H I J K

Mechanical Drawing of VCL-2243 RTU-Firewall

VCL-2243 Bottom View	
Mechanical Dimensions	
Width	168.0 MM
Height	170.0 MM



Bottom View



Bottom View with DIN Rail

The Drawing and any information or descriptive matter set out hereon are the confidential property of Valiant Communications and must not be disclosed, loaned, copied, used for manufacturing, tending or any other purpose without their written permission.

	1	2	3	4	5	6	7	8	9	10	11	12	13	14	15
APPR.															
CHECK															
DATE															
REVISION															

Title: Mechanical Drawing of VCL-2243 RTU Firewall



Drawing No: EMD-2243/RTU/002

Date	Rev	Sheet	02
Nov 08, 2021	02	Next Sheet	END