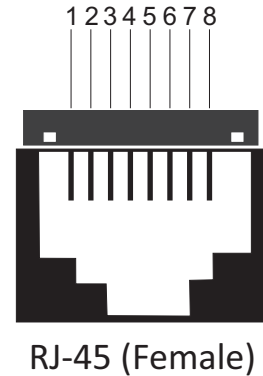


**Product Overview**

The Dual Balun converts 2 x BNC (F) (75 Ohms) to RJ-45 (F) 120 Ohms.



**Dual Balun (Shielded)  
2 x BNC (F) (75 Ohms) to  
RJ-45 (F) 120 Ohms Converter**



**RJ-45 for E1 Interface**

RJ-45 (Female) Pin #	Signal in RJ-45 (Female)
1	Tx Tip (Data Out)
2	Tx Ring (Data Out)
4	Rx Tip (Data In)
5	Rx Ring (Data In)

**BNC Description**

BNC	DTE BNC
Receive Input	Tip
Receive Ground	Ring
Transmit Output	Tip
Transmit Ground	Ring

**Coaxial Connector (75 Ohm)**

BNC	To IEC 169-8
-----	--------------

**Environmental**

Working Temp.	- 30C to 75C
---------------	--------------

**RJ45 Connector**

Type	Shielded 8 Position Contact
------	-----------------------------

**Mounting Options**

Double sided tape is provided to allow mounting onto any clean dry surface

**Ordering Information**

Part #	Product Description
VCL-EMOD-0133-Balun	Dual Balun (Shielded) 2 x BNC (F) (75 Ohms) to RJ-45 (F) 120 Ohms Converter

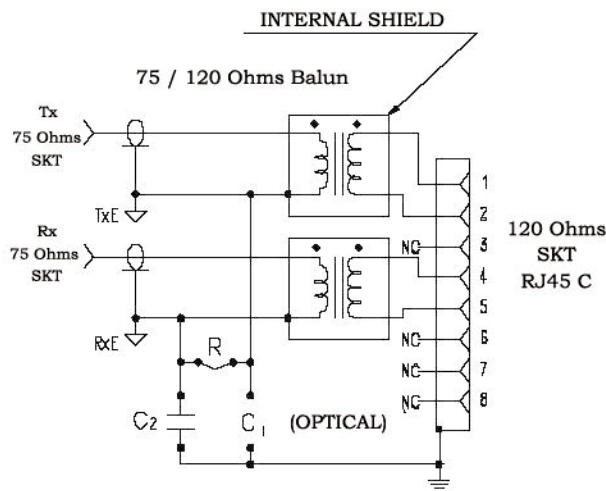
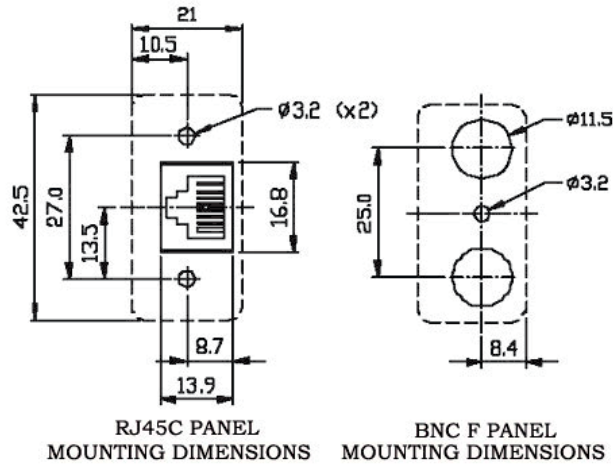
**Electrical**

Matching Impedance	75 Ohms unbalanced coaxial to 120 Ohms balanced twisted pair
Bit Rates	2 Mbit/s and 8 Mbit/s as per G.703
Return Loss	2 Mbit/s exceeds G.703 (>25 dB from 52 KHz ~ 3072 KHz) and 8 Mbit/s as per G.703
Insertion Loss	< 0.16 dB for 2 Mbit/s service (51 KHz to 3072 KHz) < 0.3 dB for 8 Mbit/s service (211 KHz to 12.672 MHz)
Cross Talk	> 60 dB from 51 KHz to 12.672 MHz between two channels
Pulse Shape	2 Mbit/s and 8 Mbit/s as per G.703
Isolation Voltage	250 V DC between input and output
Signal Levels	2.37 V nominal peak voltage at 2Mbit/s and 8Mbit/s at the coaxial end as per G.703
EMC	EN50082-2 (CISPR 22) Class A for radiated emissions with UTP cable

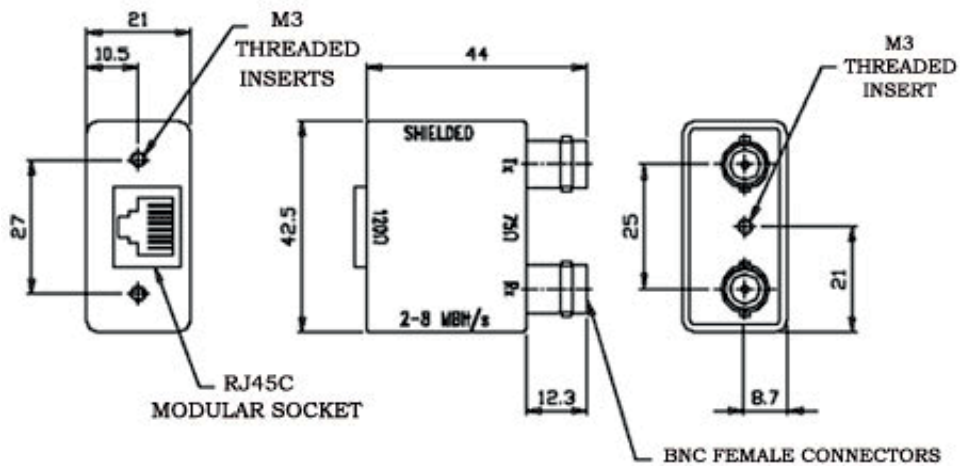
**Material**

Enclosure	High Impact Polystyrol Colour Grey
Coax Connector	Brass Alloy As AS 1567 Type 385 Finish
Outer Contact/Body	Cu/Ni5b
Coax Connector Insulator	PTFE
Coax Connector Inner Contact	Phosphor Bronze Finish Cu/Ni 1.25/Au 1.25
RJ45 Housing	PBT Glass Filled, Black
RJ45 Contacts	Phosphor Bronze Finish Ni/Au
RJ45 Shield	Bronze. Finish Ni

Drawing



Note: (OPTIONAL EARTHING CONFIGURATION WITH R, C<sub>1</sub> & C<sub>2</sub>)



Technical specifications are subject to changes without notice.  
Revision 06 - May 25, 2022

**U.K.**  
Valiant Communications (UK) Ltd  
Central House Rear Office,  
124 High Street, Hampton Hill,  
Middlesex TW12 1NS, United Kingdom  
**E-mail:** gb@valiantcom.com

**U.S.A.**  
Valcomm Technologies Inc.  
4000 Ponce de Leon Blvd.,  
Suite 470, Coral Gables,  
FL 33146, U.S.A.  
**E-mail:** us@valiantcom.com

**INDIA**  
Valiant Communications Limited  
71/1, Shivaji Marg,  
New Delhi - 110015,  
India  
**E-mail:** mail@valiantcom.com